



INSTRUCTIONS FOR USE

Pro-Ject Phono Box SE II

Dear music lover,

thank you for purchasing a PRO-JECT AUDIO phono amplifier.

In order to achieve maximum performance and reliability you should study these instructions for use carefully.



Warning of a hazard for the user, the unit or possible misuse.



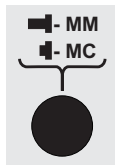
Important notice.

Setting the cartridge mode

The phono amplifier must be used in either MM (moving magnet) or MC (moving coil) mode according to the construction principle of the pickup cartridge to be used. Since most cartridges use the MM (moving magnet) principle the phono amplifier is factory set to operate in this mode. To find out which type your cartridge is please consult the literature accompanying your cartridge. The literature for MC cartridges should also specify the correct impedance and capacity into which the cartridge is designed to work. If in doubt please consult your dealer.

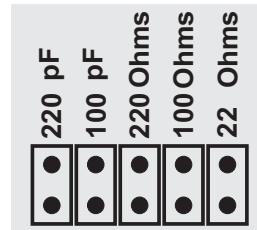
A switch at the back of the phono amplifier sets the correct level of amplification for the cartridge.

* Use the supplied jumpers to set the impedance and the recommended load resistance.



The following settings are available:

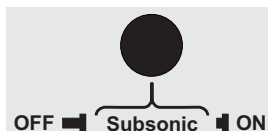
- MC - *17ohms/120pF (jumper on 22, 100 and 220 Ohms)
- MC - *18ohms/120pF (jumper on 22 and 100 Ohms)
- MC - *20ohms/120pF (jumper on 22 and 220 Ohms)
- MC - *22ohms/120pF (jumper on 22 Ohms)
- MC - *69ohms/120pF (jumper on 100 and 220 Ohms)
- MC - *100ohms/120pF (jumper on 100 Ohms)
- MC - *220ohms/120pF (jumper on 220 Ohms)
- MM - 47kOhms/120pF (no jumper)
- MM - *47kOhms/220pF (jumper on 100pF)
- MM - *47kOhms/340pF (jumper on 220pF)
- MM - *47kOhms/440pF (jumper on 100pF and 220pF)



Before setting MM / MC mode ore resetting jumpers the unit must be disconnected from the power supply and amplifier! Please set both channels equally.

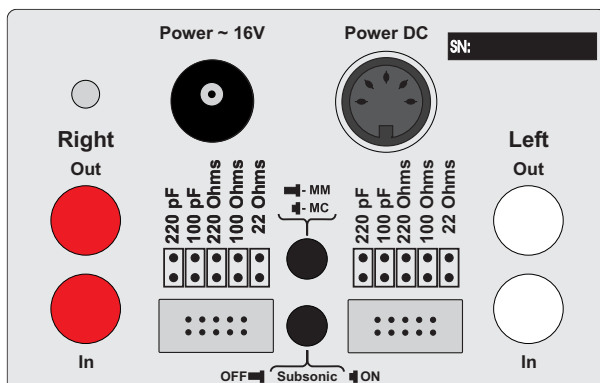
Subsonic filter

A switch at the back of the phono amplifier activates and deactivates the subsonic filter.



Connecting the record player

Connect the tonearm signal lead to the **In** of the phono amplifier. Take care to connect the left and right channels correctly. The right channel is usually marked red, the left channel black or white. The earthing wire may be connected to the screw terminal if you encounter hum problems when using the record player.



Connection to the amplifier

Connect the **Out** of the phono amplifier to a line input (such as **AUX, CD, Tuner, Tape** or **Video**) on your amplifier. Care to connect the left and right channels correctly. The right channel is usually marked red, the left channel black or white.



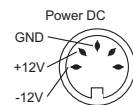
*Make all connections whilst the phono amplifier is disconnected from the power supply. Do not connect the phono amplifiers output to a phono input (sometimes labelled **gram, disc** or **RIAA**) on the amplifier.*

Mains power connection

The phono amplifier is supplied with a power supply suitable for your country's mains supply. Check the label before connecting to ensure compliance with the mains rating in your house. Connect the low voltage plug from the power supply to the **Power ~16V** socket of the phono amplifier before connecting the power supply to the mains. The blue LED on the front will light up once the phono amplifier is properly connected to the power supply.

DC power supply

Alternatively the Phono Box SE II can be supplied by a ± 12 to 18 volt DC power source. Connect the DC power source to the **Power DC** socket as shown in the diagram. The blue LED on the front will light up once the Phono Box SE II is properly connected.



Technical specifications Pro-Ject Phono Box SE II

Input impedance, MM:	120, 220, 340 and 440pF/47kOhm
Input impedances, MC:	17, 18, 20, 22, 69, 100 and 220ohms/120pF
Output voltage:	300mV at 1kHz for 3mV (MM Input) / 0,3mV (MC input)
Gain, MM / MC:	40dB / 60dB
Noise floor, MM / MC:	95dB (100dB - A weighted) / 75dB (80dB - A weighted)
THD MM / MC:	0,03% / 0,1%
RIAA-equalisation curve accuracy:	20Hz - 20kHz / max. 0,3dB
Subsonic filter:	at 18Hz with 24dB/octave
Input / line-level output:	1 pair RCA/Phono sockets / 1 pair RCA/Phono sockets
Outboard power supply:	16V/1.000mA AC, suitable for your country's mains supply DC operation with battery
Power consumption:	16V/180mA AC
DC power source:	from ± 12 to ± 18 V DC
Dimensions W x H x D (D with sockets):	103 x 72 x 144 (156)mm
Weight:	1.050g without power supply

Potential incorrect use and fault conditions

No signal on one or both channels:

No connection between player and phono amplifier or amplifier. This could be due to a faulty plug, broken wire or solder joint or simply loose plug/socket connection.

Strong hum:

No earth connection from cartridge or arm or arm cable to phono amplifier, or earth loop.

Output too quiet or too loud, or distorted:

MM / MC Mode incorrectly set - input overloading or insufficiently amplified.

Service

Should you encounter a problem which you are not able to alleviate or identify despite the above information, please contact your dealer for further advice. Only when the problem cannot be resolved there should the unit be sent to the responsible distributor in your country.

Warranty



The manufacturer accepts no responsibility for damage caused by not adhering to these instructions for use. Modification or change to any part of the product by unauthorized persons release the manufacturer from any liability over and above the lawful rights of the customer.

PRO-JECT is a Registered Trademark of H. Lichtenegger.

This guide was produced by: Audio Trade GmbH
Copyright © 2007. All rights reserved.

The information was correct at the time of going to press. The manufacturer reserves the right to make changes to the technical specification without prior notice as deemed necessary to uphold the ongoing process of technical development.